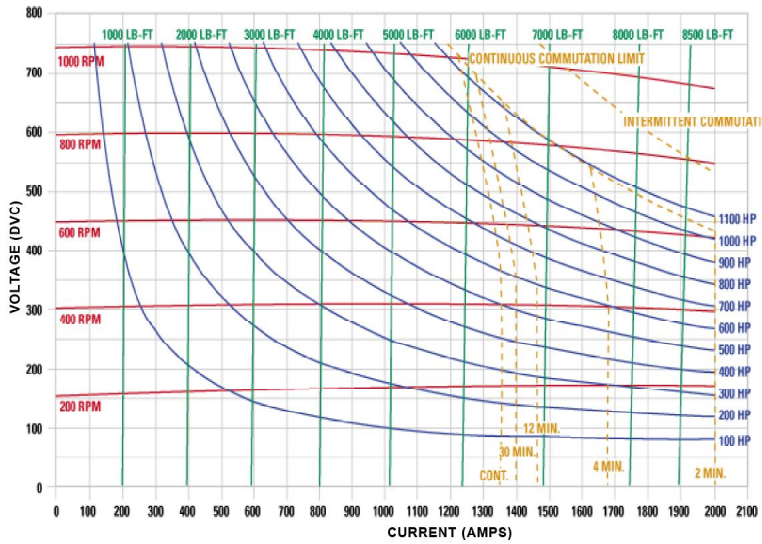
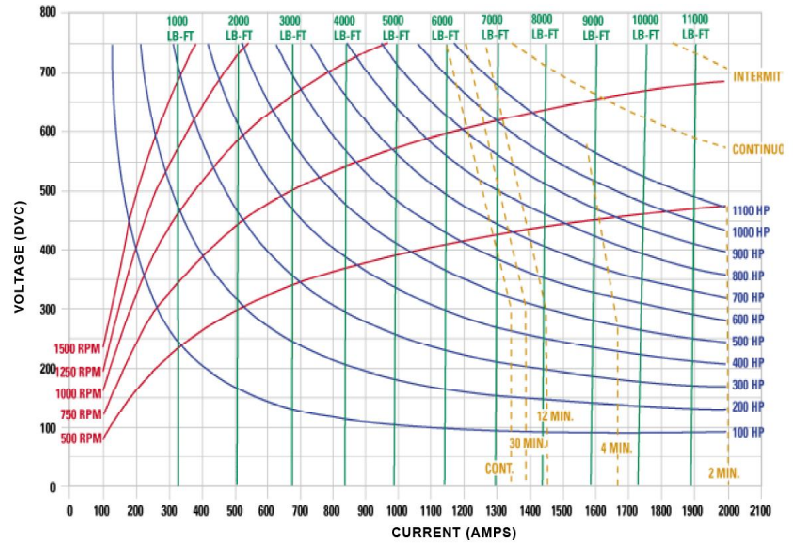


Rugged DC Motors

Remanufactured By GlobalTech Motor & Controls



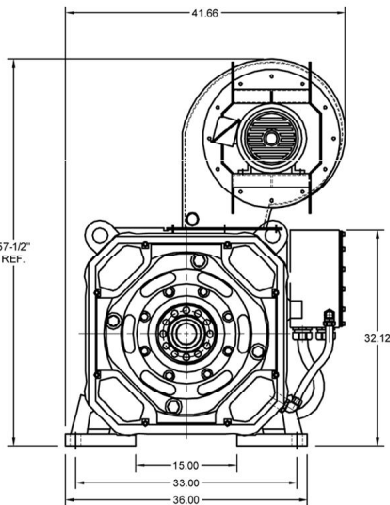
GE 752 RB & US SHUNT-WOUND DRILLING MOTORS
60 FIELD AMPS AT 2800 SCFM VENTILATION



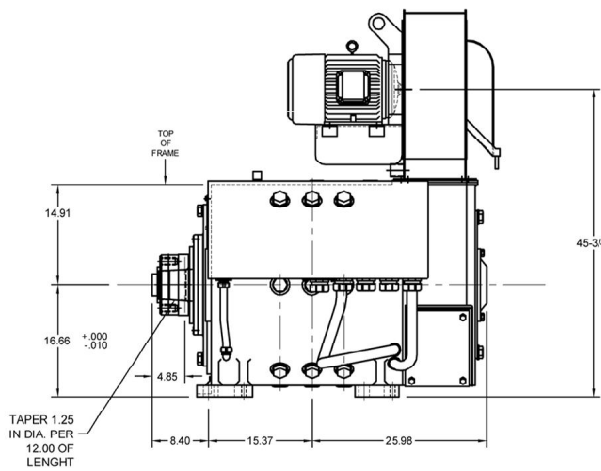
GE 752 ARB & AUT SERIES-WOUND DRILLING MOTORS
2800 SCFM VENTILATION

Rating (continuous):

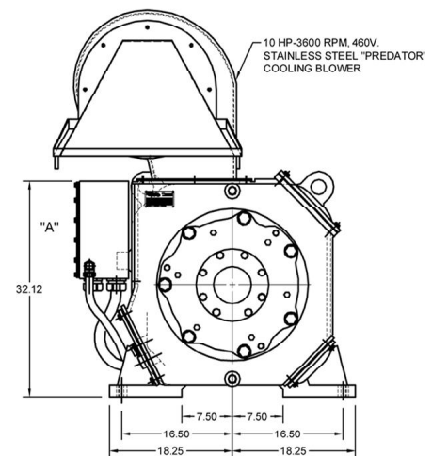
- Models RB1, RB2, RB3, UB1 5995 lb. ft. torque at 900 rpm; 1030hp, 750 volts, 7200 lbs.
5705 lb. ft. torque at 1040 rpm; 1130hp, 750 volts, 1185 amps, 7200 lbs
(with 280 scfm air flow)
- Models ARB1, ARB2, ARB3 6620 lb. ft. torque at 700 rpm; 880hp, 750 volts, 7200 lbs
5900 lb. ft. torque at 965 rpm; 1085hp, 750 volts, 1150 amps, 7200 lbs
(with 2800 scfm air flow)



Pinion End



Side View



Commutator End



WWW.GLOBALTECHMOTORS.COM

24-HR PHONE: 281-487-9300

2510 E. Sam Houston Parkway S., Pasadena, TX 77503, USA

E-mail: Sales@globaltechmotors.com / Fax: 281-487-9305