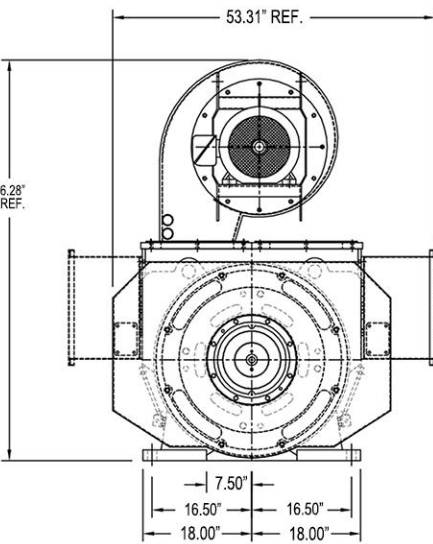
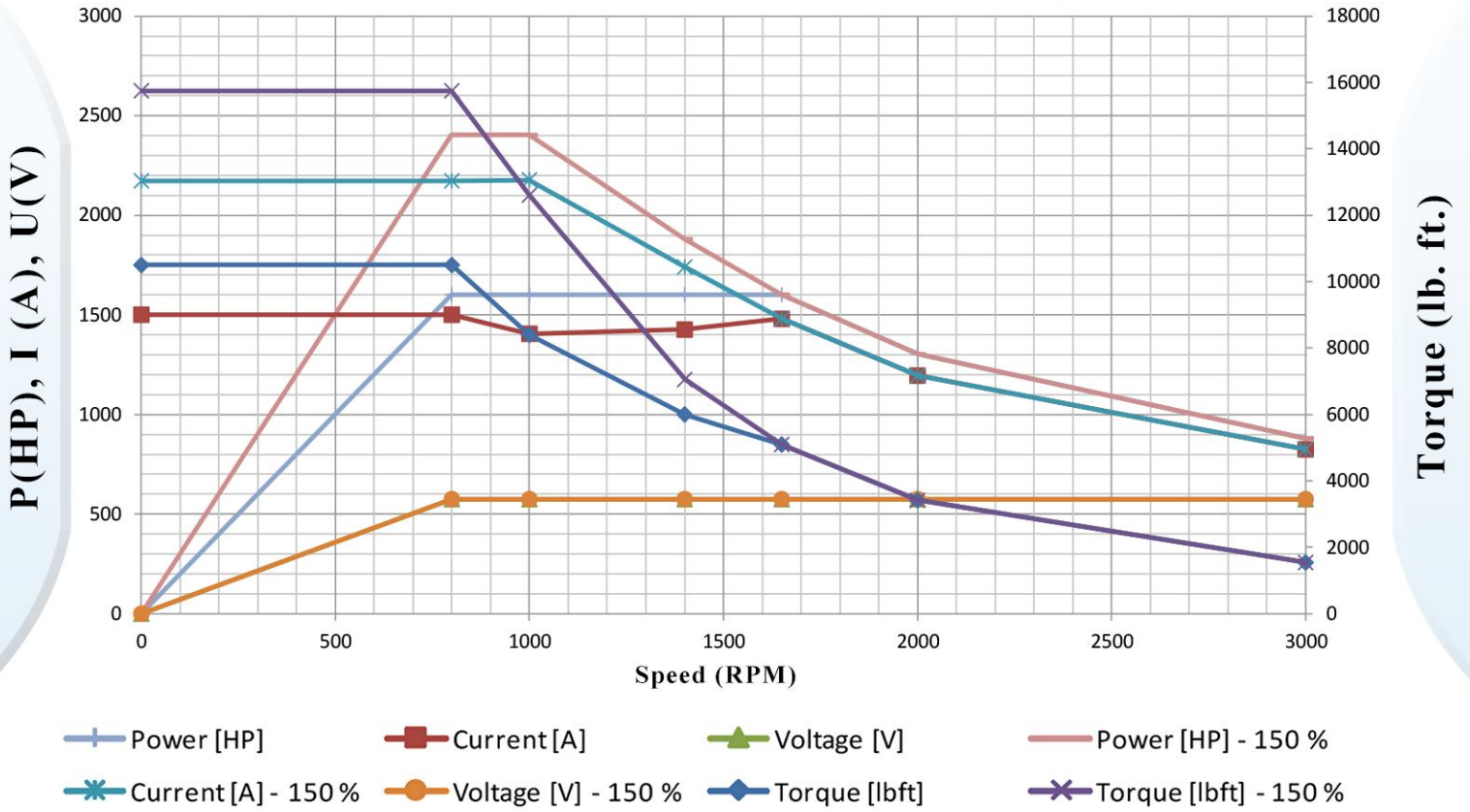


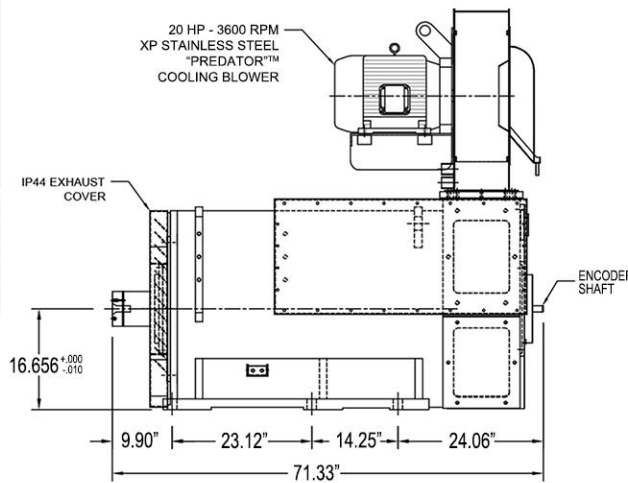
# GT1600 INVERTER DUTY AC MOTOR

Manufactured by GlobalTech Motor & Controls, Inc.

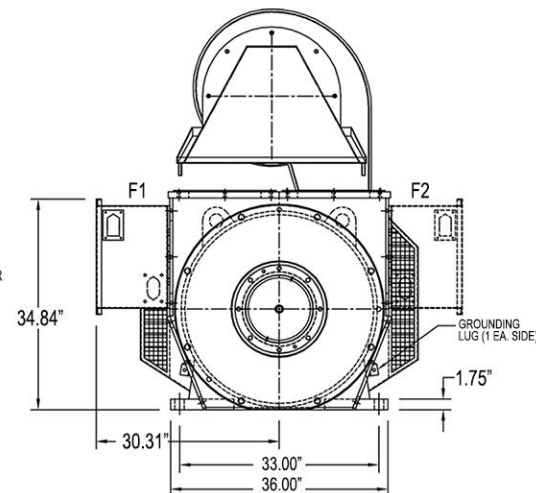
## Performance Curves and Dimensions



Drive End



Side View



Connection End

Approximate Weight: 9000 lbs.