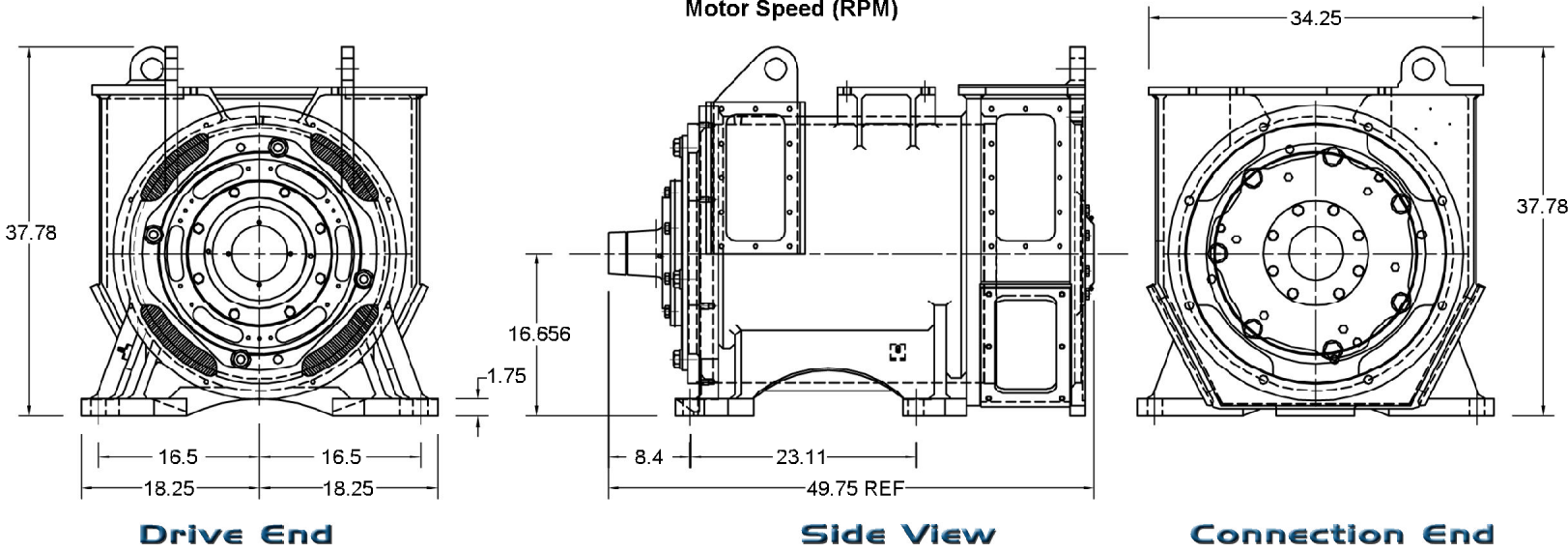
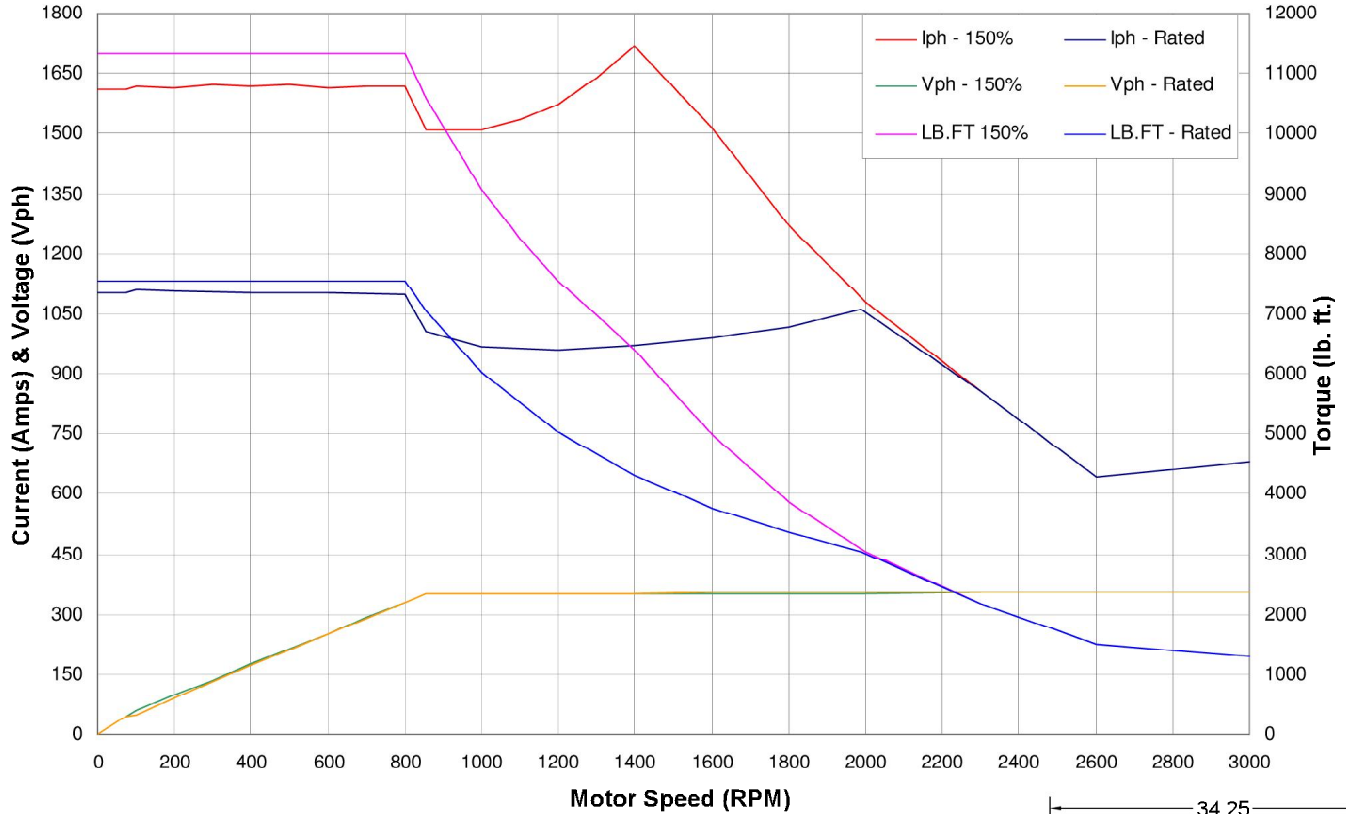


GEB22 AC Drilling Motors

Remanufactured By GlobalTech Motor & Controls

Performance Curves and Dimensions

Rated vs 150% (Intermittent Short-Time Capability)
800V dc Link



Approximate Weight: 6500 lbs.