

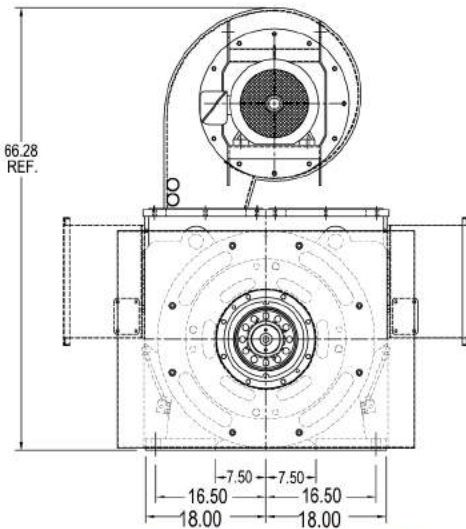
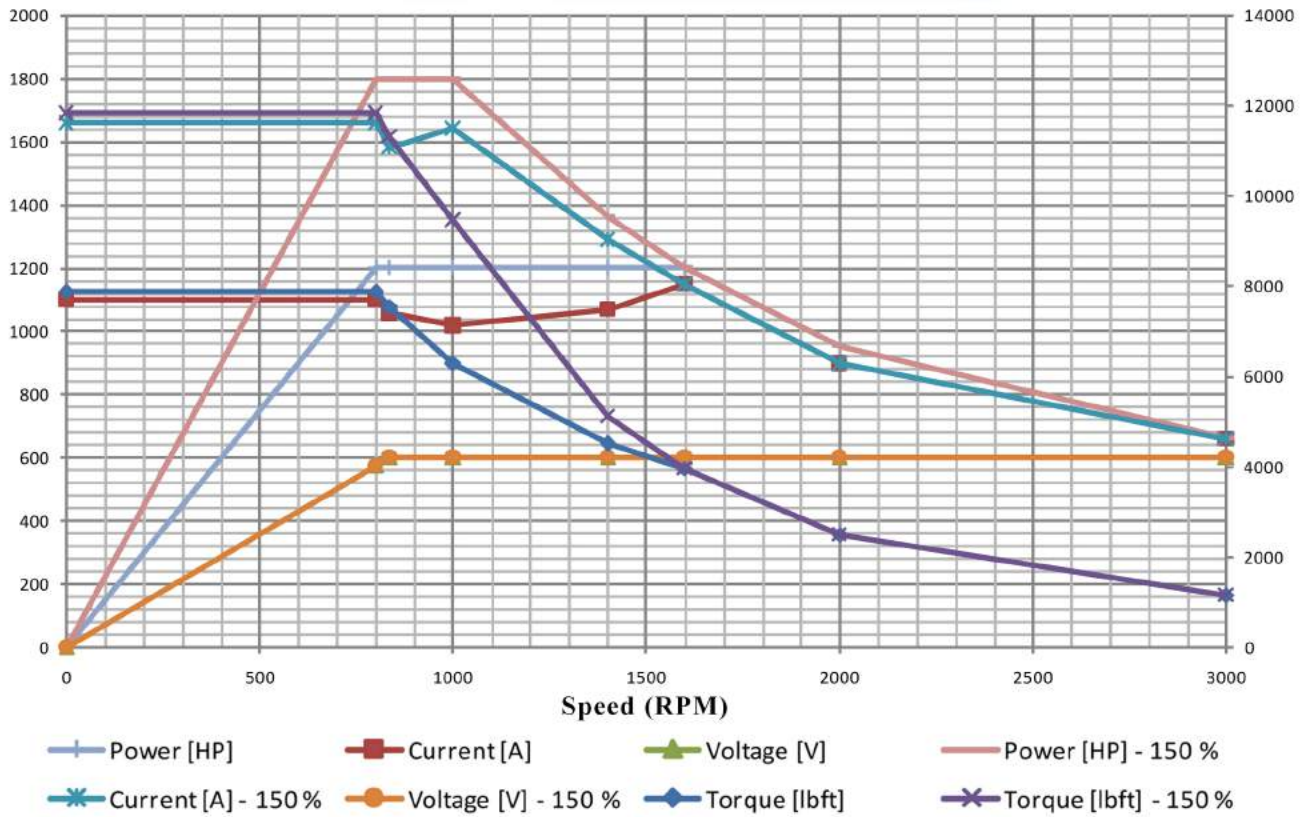
GT1200 INVERTER DUTY AC MOTOR

Manufactured by GlobalTech Motor & Controls, Inc.

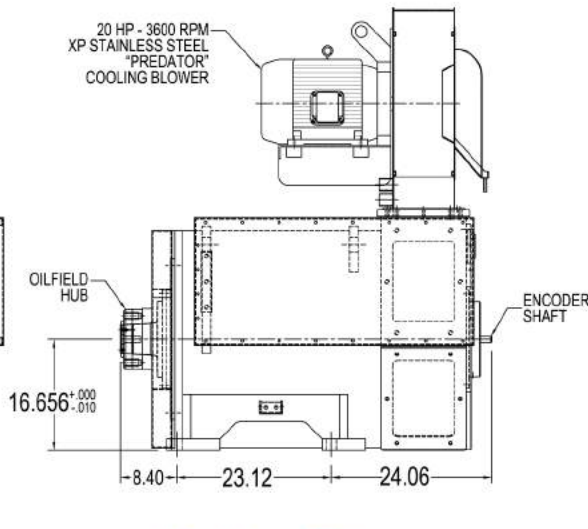
Performance Curves and Dimensions

P(HP), I (A), U(V)

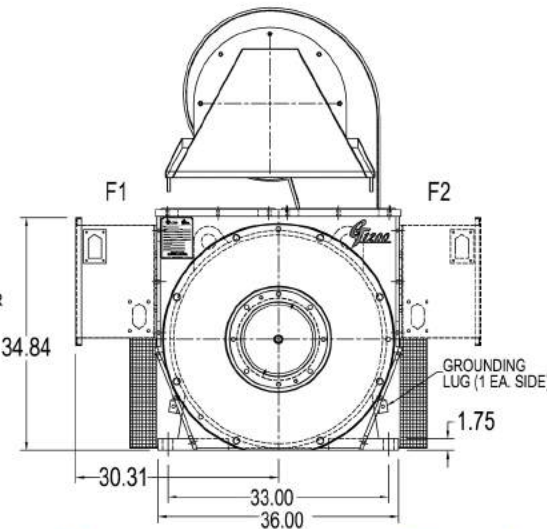
Torque (lb. ft.)



Drive End



Side View



Connection End

Approximate Weight: 8000 lbs.



WWW.GLOBALTECHMOTORS.COM
 24-HR PHONE: 281-487-9300
 2510 E. Sam Houston Parkway S., Pasadena, TX 77503, USA
 E-mail: Sales@globaltechmotors.com Fax: 281-487-9305